

STANDARD EQUIPMENT

- Head lights
- Turn signals
- Horn
- Drawbar pin
- Ergonomic seat
- Cyclonic air cleaner
- Power brake
- Engine key stop
- Torque converter oil cooler

SAFETY INDICATORS

- Engine oil pressure warning lamp
- Charge warning lamp
- Air cleaner element warning lamp
- Preheating engine warning lamp
- Preheating transmission warning lamp
- Fuel gauge
- Hour meter



HMT D/G 60-70-80-100-120-160

Diesel and gas forklifts with hydrodynamic drive units
6000, 7000, 8000, 10000, 12000, 16000 kg

HMT

Hercu - Milko Tanev

HMT hydrodynamic diesel and LPG forklifts have an incredible lifting capacity in a variety of applications.

Reliable industrial engines designed for use in forklifts. That ensure high reliability, lower fuel consumption, long service life, low noise and emissions comply with EU Directives.

Reliable hydrodynamic transmission for heavy conditions.

Drive axle with wet disk brakes without service.

Comfortable operator's cab mounted on rubber pads. Ensure safety and wide view.

Large options of lifting equipments and attachments.



Manoeuvre ability



Reliable engine



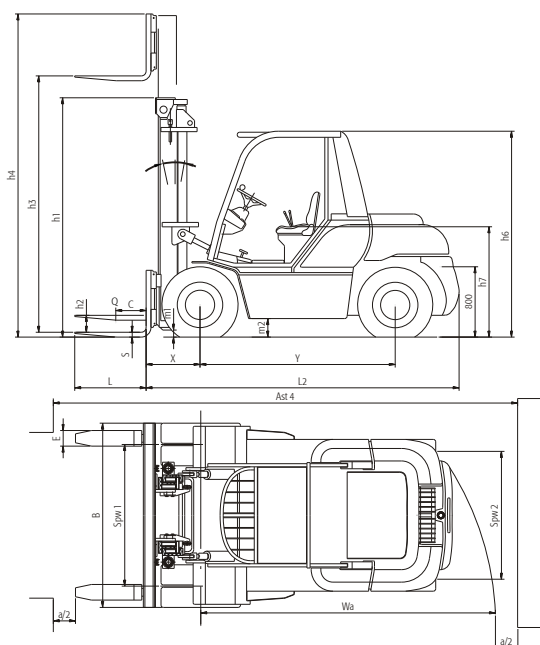
Easy service



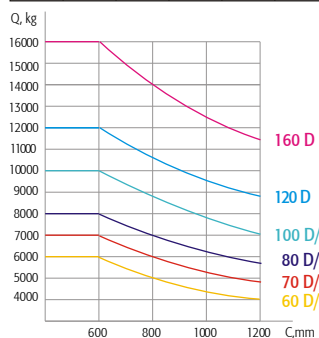
Wide view

Technical Data

Identification	1.1 Manufacturer	HMT Inc.		HMT Inc.		HMT Inc.		HMT Inc.		HMT Inc.		HMT Inc.	
	1.2 Type	60 D	60 G	70 D	70 G	80 D	80 G	100 D	100 G	120 D	160 D		
	1.3 Drive: elec., diesel, gasoline, LPG	Diesel	LPG	Diesel	LPG	Diesel	LPG	Diesel	LPG	Diesel	LPG		
	1.4 Driver position: Seated	Seated		Seated		Seated		Seated		Seated			
	1.5 Load capacity Q(t)	6.0		7.0		8.0		10.0		12.0		16.0	
	1.6 Load center C(mm)	600		600		600		600		600		600	
	1.7 Distance from CL of front axle to fork face X(mm)	600		600		600		648		748		783	
	1.8 Wheel base Y(mm)	2200		2200		2200		2800		3000		3200	
Weights	2.1 Weight - unladen kg	8850		9500		10300		12400		14900		17200	
	2.2 Axle weight laden, front / rear kg	13050 / 1820		14620 / 1880		16270 / 2030		19630 / 2770		24070 / 2830		30100 / 3100	
	2.3 Axle weight unladen, front / rear kg	3760 / 5090		3760 / 5740		3910 / 6390		6420 / 5980		7420 / 7480		7800 / 9400	
Wheels, Chassis	3.1 Tyre type: SE=Superelastic, L=Pneumatic	L / L		L / L		L / L		L / L		L / L		L / L	
	3.2 Tyre size, front	8.25 - 15		8.25 - 15		8.25 - 15		9.00 - 20		10.00 - 20		12.00 - 20	
	3.3 Tyre size, rear	8.25 - 15		8.25 - 15		8.25 - 15		9.00 - 20		9.00 - 20		12.00 - 20	
	3.4 Wheels, no. front / rear (x=drive)	4 x / 2		4 x / 2		4 x / 2		4 x / 2		4 x / 2		4 x / 2	
	3.5 Track, Spw1 / Spw2 front / rear	1814 / 1686		1814 / 1686		1814 / 1686		1908 / 1806		1908 / 1806		1908 / 1806	
Basic Dimensions	4.1 Mast tilt angles, forward () / backward ()	6/10		6/10		6/10		6/10		6/10		6/10	
	4.2 Mast height - closed h1(mm)	2680		2680		2780		3050		3100		3200	
	4.3 Free lift h2(mm)	150		150		150		150		190		190	
	4.4 Lift h3(mm)	3300		3300		3300		3300		3300		3300	
	4.5 Mast height - extended h4(mm)	4255		4255		4455		4700		4800		5000	
	4.6 Full free lift, duplex / triplex h5(mm)	-		-		-		-		-		-	
	4.7 Height of overhead guard h6(mm)	2310		2310		2310		2402		2417		2452	
	4.8 Seat height h7(mm)	1230		1230		1230		1322		1337		1372	
	4.9 Length to fork face L2(mm)	3550		3550		3550		4198		4498		4733	
	4.10 Overall width B(mm)	2337		2337		2337		2450		2550		2600	
	4.11 Fork dimension (thickness/width/length) s/e/l(mm)	60x150x1600		60x150x1600		70x150x1600		70x150x1600		60x200x1600		80x200x1600	
	4.12 Fork carriage to ISO 2328, Class A, B	4A		4A		4A		5A		5A		-	
4.13 Ground clearance laden under mast m1(mm)	200		200		200		250		250		250		
4.14 Ground clearance center of wheel base m2(mm)	245		245		245		335		350		350		
4.15 Aisle width, pallet 800x1200 / 1000x1200 mm	4800 / 5000		4800 / 5000		4800 / 5000		5628 / 5828		5948 / 6148		6163 / 6363		
4.16 Turning radius Wa(mm)	3200		3200		3200		3980		4200		4380		
Performance Data	5.1 Travel speed, laden / unladen km/h	7:13:20 / 9:15:22		7:13:20 / 9:15:22		7:13:20 / 9:15:22		7:13:23 / 9:15:25		7:13:23 / 9:15:25		7:13:23 / 9:15:25	
	5.2 Lifting speed, laden / unladen m/s	0.40 / 0.45		0.40 / 0.45		0.40 / 0.45		0.40 / 0.45		0.40 / 0.45		0.30 / 0.35	
	5.3 Lowering speed, laden / unladen m/s	0.50 / 0.30		0.50 / 0.30		0.50 / 0.30		0.50 / 0.30		0.50 / 0.30		0.50 / 0.30	
	5.4 Drawbar pull, laden / unladen kN	64		64		64		80		93		93	
	5.5 Gradeability, laden / unladen %	36		36		36		36		36		36	
	5.6 Service brake, type	Hydraulic		Hydraulic		Hydraulic		Hydraulic		Hydraulic		Hydraulic	
	5.7 Parking brake, type	Hand		Hand		Hand		Hand		Hand		Hand	
Engine	6.1 Engine manufacturer / type	IVECO	GM	IVECO	GM	IVECO	GM	IVECO	GM	IVECO	GM	IVECO	IVECO
	6.2 Engine output to ISO 1585 kW	60	89	60	89	60	89	82	89	120	89	120	120
	6.3 Rated speed rotation 1/min	2500	2800	2500	2800	2500	2800	2500	2800	2500	2800	2500	2500
	6.4 Cylinders / displacement /cm ³	4 / 4500	6 / 4300	4 / 4500	6 / 4300	4 / 4500	6 / 4300	6 / 6700	6 / 4300	6 / 6700	6 / 4300	6 / 6700	6 / 6700
Other Details	7.1 Fuel tank capacity	140		140		140		140		180		180	
	7.2 Transmission manufacturer / type	Clark T12000		Clark T12000		Clark T12000		Clark T12000		Clark T20000		Clark T20000	
	7.3 Coupling	hydrodynamic 3/3		hydrodynamic 3/3		hydrodynamic 3/3		hydrodynamic 3/3		hydrodynamic 3/3		hydrodynamic 3/3	
	7.4 Working pressure for attachments bar	180		180		180		180		180		180	



	D (G) 60, 70				D (G) 80				D (G) 100				D 120, 160			
	simplex				simplex				simplex				simplex			
h3	3700	4000	4500	5000	3700	4000	4500	5000	3700	4000	4500	5000	3700	4000	4500	5000
h1	2880	3030	3280	3530	2980	3130	3380	3630	3250	3400	3650	3900	3300	3450	3700	3950
h4	4655	4955	5455	5955	4855	5155	5655	6155	5100	5400	5900	6400	5200	5500	6000	6500
h2	150	150	150	150	150	150	150	150	150	150	150	150	190	190	190	190
/	6/10	6/10	3/5	3/5	6/10	6/10	3/5	3/5	6/10	6/10	3/5	3/5	6/10	6/10	3/5	3/5



HMT trucks conform to the EU Safety Requirements

Capacity heights	Lifting simplex					
	3300	3700	4000	4500	5000	
6.0 t	6.0 t	6.0 t	6.0 t	6.0 t	6.0 t	6.0 t
7.0 t	7.0 t	7.0 t	7.0 t	7.0 t	7.0 t	7.0 t
8.0 t	8.0 t	8.0 t	8.0 t	8.0 t	8.0 t	8.0 t
10.0 t	10.0 t	10.0 t	10.0 t	10.0 t	10.0 t	10.0 t
12.0 t	12.0 t	12.0 t	12.0 t	12.0 t	12.0 t	12.0 t
16.0 t	16.0 t	16.0 t	16.0 t	16.0 t	16.0 t	16.0 t