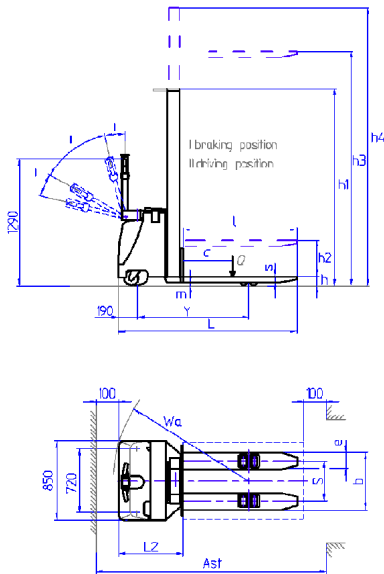


Electric Pedestrian Operated Pallet Stacker with Spring Loaded Wheel
KMS



Manufacturer's model designation		KMS 1250/3.0	KMS 1250 /3.5	KM 1500/3.0	KMS 1500/3.5
Q - Capacitate h ₃ redus/ Qmax	mm/kg	2800/1250	2800/1250	2500/1500	2500/1500
h ₃ max / Q reds	mm/kg	3000/1000	3500/900	3000/1200	3500/1100
Centrul de greutate pe furci	c - mm	600	600	600	600
Distanța între axe	y - mm	1190	1190	1190	1190
Masa proprie (incl. battery)	kg	790	820	850	910
Latimea pistei de incarcare	S - mm	400	400	400	400
Inaltime cu catarg coborat	h ₁ - mm	2060	2310	2060	2310
Free lift	h ₂ - mm	120	120	120	120
Inaltime de ridicare	h ₃ - mm	3000	3500	3000	3500
Inaltime cu catarg ridicat la maxim	h ₄ - mm	3455	3955	3455	3955
Inaltimea furcilor cu catarg coborat	h - mm	90	90	90	90
Lungime totala	L - mm	1860	1860	1860	1860
Lungime fara furci	L ₂ - mm	710	710	710	740
Dimensiunile furcilor	s/e/l - mm	55/165/1150	55/165/1150	55/165/1150	55/165/1150
Latimea ans. furci	b - mm	560	560	560	560
Garda la sol	m - mm	40	40	35	35
Culoar de lucru între rafturi	Ast - mm	2200	2200	2200	2200
Raza de viraj	W _a - mm	1430	1430	1430	1430
Viteza de deplasare, incarcat /gol	km/h	4.5/6.0	4.5/6.0	4.5/6.0	4.5/6.0
Viteza de ridicare, incarcat /gol	m/s	0.125/0.160	0.125/0.160	0.102/0.130	0.102/0.130
Viteza de coborare, incarcat /gol	V ₁ - m/s	0.165/0.100	0.165/0.100	0.140/0.095	0.140/0.095
	V ₂ - m/s	0.065/0.040	0.065/0.040	0.045/0.030	0.045/0.030
Pantay S2 = 5 min ,incarcat /gol	%	10/15	10/15	10/15	10/15
Motor de ridicare	kW	1.2	1.2	1.3	1.3
Motor de coborare	kW	2.0	2.0	2.0	2.0
Roti si role:					
• Spre sofer :					
- Roata motrica: 240 x 76 mm		1 piece	1 piece	-	-
240 101 mm		-	-	1 piece	1 piece
- Roti sustinatoare: 150 mm		2 buc.	2 buc.	2 buc.	2 buc.
• Roti pe pista de transport - 85 x 70 mm		4 buc.	4 buc.	4 buc.	4 buc.