



M 350 H x4

**EL VEHICULO MULTIUSOS QUE FACILITA TU TRABAJO
THE TOOL-CARRIER THAT MAKES YOUR WORK EASIER
MULTITASK-GERÄTETRÄGER, DAS FAHRZEUG FÜR DEN HARTEN EINSATZ
LE VEHICULE MULTISERVICE QUI FACILITE VOTRE TRAVAIL**



www.ausa.com

AUSA Center, S.L.U. ● Ctra. de Vic, Km 2.8 - P.O.B. 194. 08243 Manresa - BARCELONA (ESPAÑA) Tel.: +34 93 874 73 11 - E-mail: ausa@ausa.com



ISO 9001

ISO 14001



AUSA Madrid ● Pol. Ind. Coslada - C. Marconi 15-17. 28823 Coslada - MADRID (ESPAÑA) Tel.: +34 91 669 00 06 - E-mail: ausa.madrid@ausa.com

AUSA France ● Z. I. Saint Charles - Rue de Zürich, 66000 PERPIGNAN (FRANCE) Tel.: +33 (0) 4 68 54 38 97 - E-mail: ausa.france@ausa.com

AUSA Deutschland ● Heinrich - Welken Str. 5. 59069 HAMM (GERMANY) Tel.: +49 (0) 2385-9359362 - E-mail: ausa.deutschland@ausa.com

BEIJING Rep. Office ● Address Room 527. HengXiang Building, Tuanjihu Nanli, Chaoyang District. - BEIJING 100026 (CHINA)

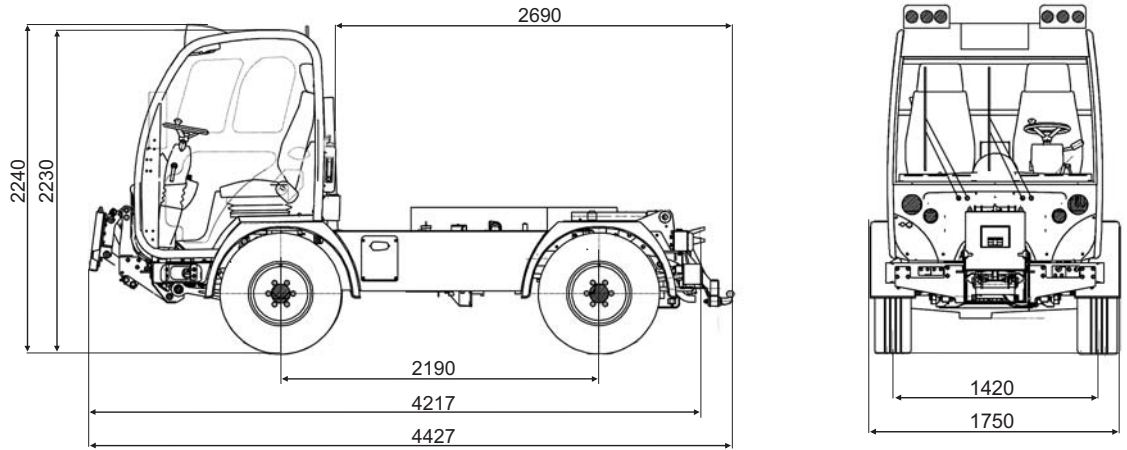
Tel.: 86-10-8597 1983 - Fax: 86-10-8597 1993 - E-mail: ausa.china@ausa.com

AUSA UK ● Tel.: 07970639988 - E-mail: ausa.uk@ausa.com

AUSA Brasil ● Tel.: +55 51 33622111 - E-mail: ausa.brasil@ausa.com

AUSA Mexico ● Gustavo Baz, 47. 53489 Naucalpan de Juarez, Edo. de México (MÉXICO) Tel.: +55 2166-9066 - E-mail: ausa.mexico@ausa.com

(Sede central AUSA-Manresa)

M 350 H_3500 Kg**AUSA****TECHNICAL SPECIFICATIONS**

Load capacity (Kg)	3500	Gradient negotiable (with full load)	38%	
Load capacity with load bed (Kg)	3000	Brakes	Hydraulic pump with servo brake, discs on front wheels and drum on rear wheels (ABS + EBD optional / standard with 62 km/h) Mechanically applied, hydraulically released	
Hooper capacities (l)	Levelled			1500
	Heaped			1800
Engine	Make	VOLKSWAGEN		
	Type	2,01 TDI PD EURO 5		
	Power (Kw - Cv)	75 - 102 (3000 rpm)		
	N. of Cylinders	4		
	Cooling	Liquid		
	Fuel	Diesel		
Fuel capacity (l)	85	Steering	Hydraulically power-assisted steering, supplied by TRW	
Transmission	2 hydrostatic gear and 2 gear speed-reducer		Suspension	
	Ground speed (Km/h)	Limited to 40 / Optional to 62		
	Traction	4x4 continuous with central differential, COMPEN system and rear locking differential		
Attack	Obstruction angle	26°		
	Departure angle	62°		
Weight (Kg)	Unloaded weight	3170 (1735 front axle ; 1435 rear axle)		
	Gross weight	6400 (2650 front axle ; 3750 rear axle)		
Hydraulic delivery		Steering pump 12 l/min. Service pump 1: 35 l/min. // Service pump 2: 60 l/min.		
Hydraulic power take-off		8 front, 6 rear ; Max. pressure. 180 bar / Max. flow. 60 l/min		

STANDARD EQUIPMENT

Closed cabin with heating	Heated rear mirrors elect. adjustable	Roating beacon with telescopic support of 450 mm	Approved lighting system
Electronic boost of rpm engine	Driver seat with pneumatic suspension	Wiring for transceiver set	Beacons elect. adjustable
Doors with panning visibility	Passenger seat with mechanic suspension	Radio	Wheel wrench

OPTIONAL EQUIPMENT

Front plate for attachments	Additional hydraulic kit service (3rd pump) for simultaneous use of 3rd accessory. With reg. of flow	Tacograph	Spare wheel
Semi-chassis "LINKSystem®" for quick coupling and removal of optional attachments	Maximum speed. 62 km/h with ABS + EBD and load sensitive devide to adjust braking force	Air conditioning	All terrain, multipurpose or wide tyres option
tipping body		Towing hitch ball (50 mm) with electric socket	Passenger seat with pneumatic suspension
		Towing hitch "Rockinger" with electric socket	4x2 rear locking differential

ADDITIONAL ACCESSORIES

Salt spreader	Hydraulic powered with easy removable system. Capacity: 1.3 m³
Snow-blade	Width 2.000 mm hydraulic swivel +/-30°
Snow sweeper broom	Height: 2 m
Brush cutter	Front and lateral reach arm brush-cutter, reaching distance up to 3.5 m
Hydraulic crane	With manual controls. Maximum reaching 7 m
	Articulated with radio control commands. Maximum reaching 7m Articulated with aerial work platform. Radio control commands, equipped with short load bed. Height máx. 8.5m.
Frame	Supplement for three-way load tipping with short load bed in crane equipment
Movex platform	Work height: 15.3m; load capacity: 200Kg./2 people.
Washing bar	Cool water; water tank: 2000 l; working pressure: 210 bar; water flow: 17 l/min Hot water; front spraying bar commanded by joystick; water tank: 2000 l; water pressure: 210 bar; water flow: 17 l/min; soap dosifier Sweeper and scrubber cupola washer; hot water; front spraying bar commanded by joystick; water tank: 2000 l; water pression: 210 bar; water flow: 38 l/min; soap dosifier
Water tank	Capacity: 2000 l; front bar high pressure pump
Support for attachment assembling	LINKSystem®

MKT22023.02-04/2012